

KX-TDA Series

The Panasonic IP-Enabled KX-TDA series business telephony solution combines advantages of traditional telecommunications together with the convergence of IP technology – offering advanced features and flexibility to handle your company communication needs. These models can be easily upgraded to high-end KX-TDE series models.



KX-TDA100

Max. Trunks: 124
Max. Extensions:
128 with DXDP*



KX-TDA100D

Max. Trunks: 126
Max. Extensions:
176 with DXDP



KX-TDA200

Max. Trunks: 128
Max. Extensions:
256 with DXDP*



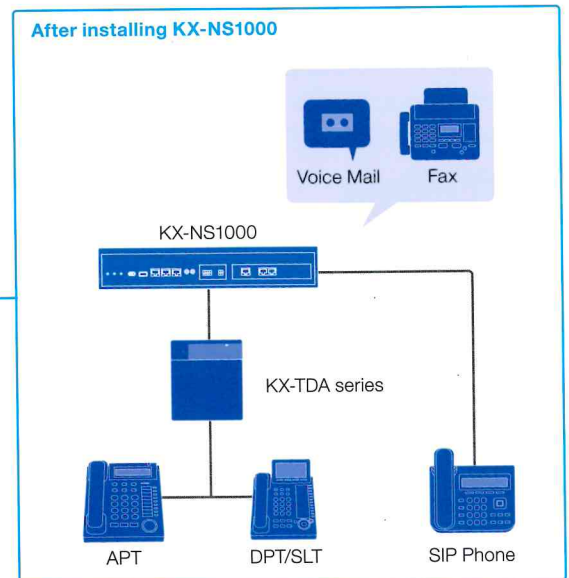
KX-TDA600/620

Max. Trunks: 640
Max. Extensions: 960 with DXDP

*When an MEC card is used.

IP Smart Migration

Enables you to use legacy trunks and terminals for flexible system expansion in the future. You can expand IP trunks and IP terminals and utilize the Unified Messaging feature of the KX-NS1000 by connecting the KX-TDA series to the KX-NS1000. You can also use the KX-NS1000 as a server for adding a voice mail function. Assisted migration to an IP system, according to your budget and needs, is also available.



Easy Migration to VoIP (IP/IP Telephony)

Designed to support convergence via modular architecture, this IP-enabled system facilitates a smooth migration towards VoIP, allowing voice and data communication to function harmoniously within the same network, assuring additional flexibility in the future.

Voice Mail Integration

Optional Cards (ESVM) provide added message recording and outgoing message handling capabilities that help ensure calls from your customers routed through properly and are always answered or processed gracefully.

Multi-Cell Wireless Integration

Extension line phones can be made wireless. The multi-cell DECT Wireless System enables the office building to become a single call zone. Since calls can be made while working away from the desk, this contributes to improved productivity.

Cost-effective Performance

The systems include various functions to support cost reductions.

- Voice over Internet Protocol (H.323)
- ISDN capability (BRI/PRI)
- QSIG digital networking allows basic call handling, closed numbering routing, and CLIP/COLP/CLIR/COLR
- Automatic Route Selection (ARS)/ Toll Restriction Services (TRS)
- Reliable networking via T1/E1, E&M

KX-TDA Series System Capacity

Maximum Trunks

Type	KX-TDA100	KX-TDA100D
Total No. of Trunks	124 ch	126 ch
IP Trunks		
H.323	64 ch	64 ch
SIP	-	-
Digital/Analogue Trunks		
Analogue	96 lines	112 lines
BRI	96 ch	112 ch
PRI23/30	92 ch/120 ch	92 ch/120 ch
T1/E1	96 ch/120 ch	96 ch/120 ch
Type	KX-TDA200	KX-TDA600/620
Total No. of Trunks	128 ch	640 ch
IP Trunks		
H.323	64 ch	640 ch
SIP	-	-
Digital/Analogue Trunks		
Analogue	128 lines	640 lines
BRI	128 ch	640 ch
PRI23/30	92 ch/120 ch	460 ch/600 ch
T1/E1	96 ch/120 ch	480 ch/600 ch

Maximum Terminal Equipment

Type	KX-TDA100	KX-TDA100D
Total No. of Extensions (DXDP*)	96 (128)	128 (176)
IP Extensions		
IP-PT	96	112
SIP	-	-
Digital/Analogue Extensions		
SLT	96	128
APT	24	-
DPT (DXDP*)	96 (128)	104
DECT System		
PS	128	128
DPT-CS (2 ch/8 ch)	32/16	26/13
IP-CS/SIP-CS	- / -	- / -
Type	KX-TDA200	KX-TDA600/620
Total No. of Extensions (DXDP*)	128 (256)	640 (960)
IP Extensions		
IP-PT	128	640
SIP	-	-
Digital/Analogue Extensions		
SLT	128	640
APT	64	320
DPT (DXDP*)	128 (256)	640 (640)
DECT System		
PS	128	256 (without EMEC)/ 512 (with EMEC)
DPT-CS (2 ch/8 ch)	32/16	128/64
IP-CS/SIP-CS	- / -	- / -

*When Digital XDP is used.